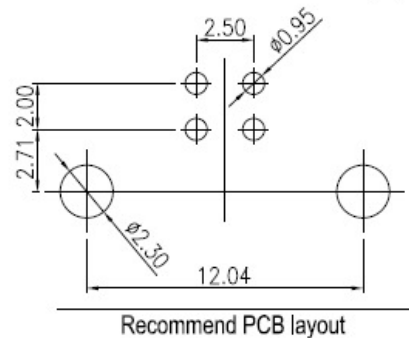
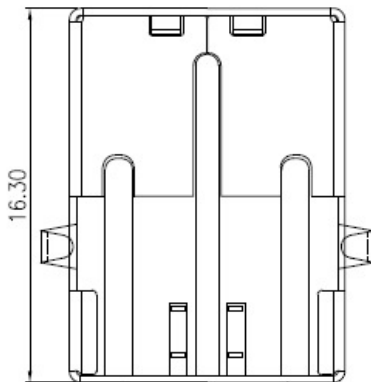
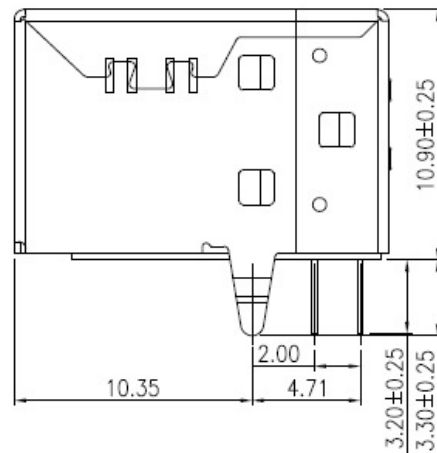
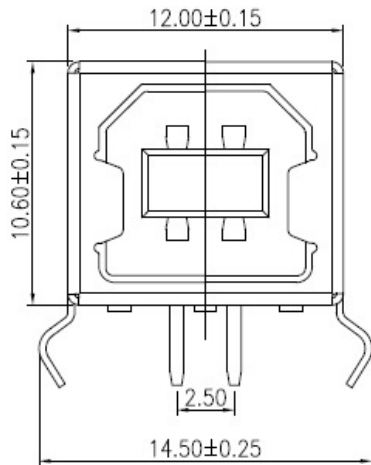


ROHS COMPLIANT



Recommend PCB layout

Part Code: USB-BF-90  
Description: USB BF side entry 90  
degree connector

#### 1.ELECTRICAL CHARACTERISTICS:

- 1-1.RATING: DC 30V 1.5A
- 1-2.CONTACT RESISTANCE: $\leq 30\text{m}\Omega$
- 1-3.INSULATION RESISTANCE: $\geq 1000\text{M}\Omega$  DC 500V
- 1-4.WITHSTANDING VOLTAGE:AC 500V 1min
- 1-5.LIFE:5,000 CYCLES

#### 2.MECHANICAL CHARACTERISTICS:

- 2-1.INSERTION FORCE:35N Max
- EXTRACTION FORCE:10N Min

#### 3.Finish:

##### 3-1.TERMINAL:


GOLD $\langle 1\mu\text{m}\rangle$  PLATING ON CONTACT AREA  
TIN $\langle 2-5\mu\text{m}\rangle$  PLATING ON OTHER AREA  
NICKEL $\langle 1-3\mu\text{m}\rangle$  UNDERPLATING OVERALL

##### 3-2.SHELL:

NICKEL $\langle 1-3\mu\text{m}\rangle$  PLATING

DIMENSION TOLERANCE +/- 0.2mm

REV. 0 DATE 28/04/2020

 PRAN ELECTRONICS PVT. LTD.  
INDIA.